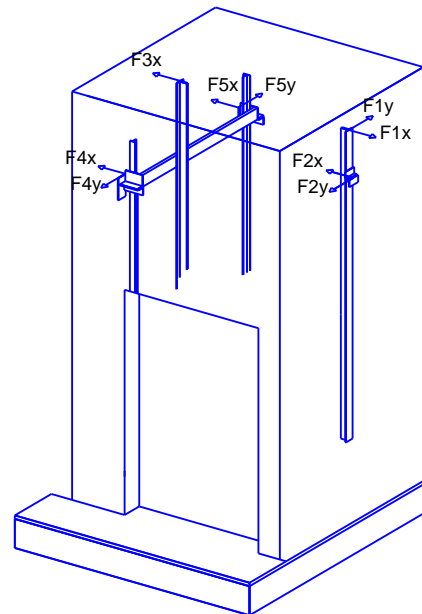


**DRAFT DRAWING (NOT DEFINITIVE)**

(EN 81-20/50)

MAIN FEATURES	
Nominal load:	800 kg 10 Passengers
Speed:	1 m/s
Travel:	6 m
N. of stops:	3
N° of acceses:	3
Lighting power:	230 V
Grid voltage:	415 V
N. of phases:	3 PHASES+NEUTRAL
Frequency:	50 Hz
Machine power:	7.3 kW
Heat rejected:	0.7 kW
Power grid supply:	5.9 kW
Nom. Current grid:	9.2 A
Max. Current grid:	11 A
Short circuit rating:	6 KA
Controller type:	COLEC-SELEC SIMPLEX
Deadweight car+frame:	750 kg
Number of ropes:	4
%Counterweighed:	50 %

LOADS IN daN	
P1: 4650 daN	P8: daN
P2: 3150 daN	P9: daN
P3: 1750 daN	P10: daN
P4: 2250 daN	P11: 1700 daN
P5: daN	P12: 100 daN
P6: daN	P13: daN
P7: daN	P14: daN
F1x: 10 daN	F4x: 30 daN
F1y: 400 daN	F4y: 180 daN
F2x: 30 daN	F5x: 30 daN
F2y: 400 daN	F5y: 220 daN
F3x: 400 daN	

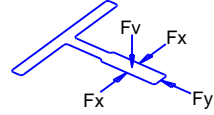


RANGING MEASURES MRL	
X1: 86 mm	Y1: 966 mm
X2: 281 mm	Y2: 784 mm
X3: mm	Y3: 966 mm
X4: mm	Y4: 784 mm

CUSTOMER	Typical Drawing			
ADDRESS	Typical Drawing			
CITY	.			
	DRAWN 30/07/2020 EXCD00001	SCALE	DRAWING N°	REF. 1059024
	CHECKED	UNIT mm	PAGE 1/9	

## DRAFT DRAWING (NOT DEFINITIVE)

	CAR GUIDE	COUNTERWEIGHT GUIDE
Guide type	T-125 L1/A	T-70/A
Clip type	SL3	SL2
Max distance between brackets [mm]	3500	3500
Fx max [daN]	157.53	4.11
Fy max [daN]	92	26.52
Fv max [daN]	1634.63	72.17
s perm [N/mm <sup>2</sup> ]	261.11	208.89
s max [N/mm <sup>2</sup> ]	249.31	29.89
d perm [mm]	5	10
d guide max X [mm]	4.43	0.66
d guide max Y [mm]	4.95	1.97
d str max [mm]	0	0



\* Information about guides and flanges available on Orona's web 'Documentation per OV'

### LANDING DOORS

LANDING DOOR FIRE REGULATION	LANDING DOOR MATERIAL	ENTRANCE 1
E120	St.St. Plus	0,1,2

### REMARKS

- All the conditions in the document 'Work preparation guide' must be followed
- Optimum assembly process: Orona Platform

CUSTOMER      Typical Drawing  
 ADDRESS        Typical Drawing  
 CITY             .

DRAWN      30/07/2020  
 EXCD00001

SCALE

DRAWING N°

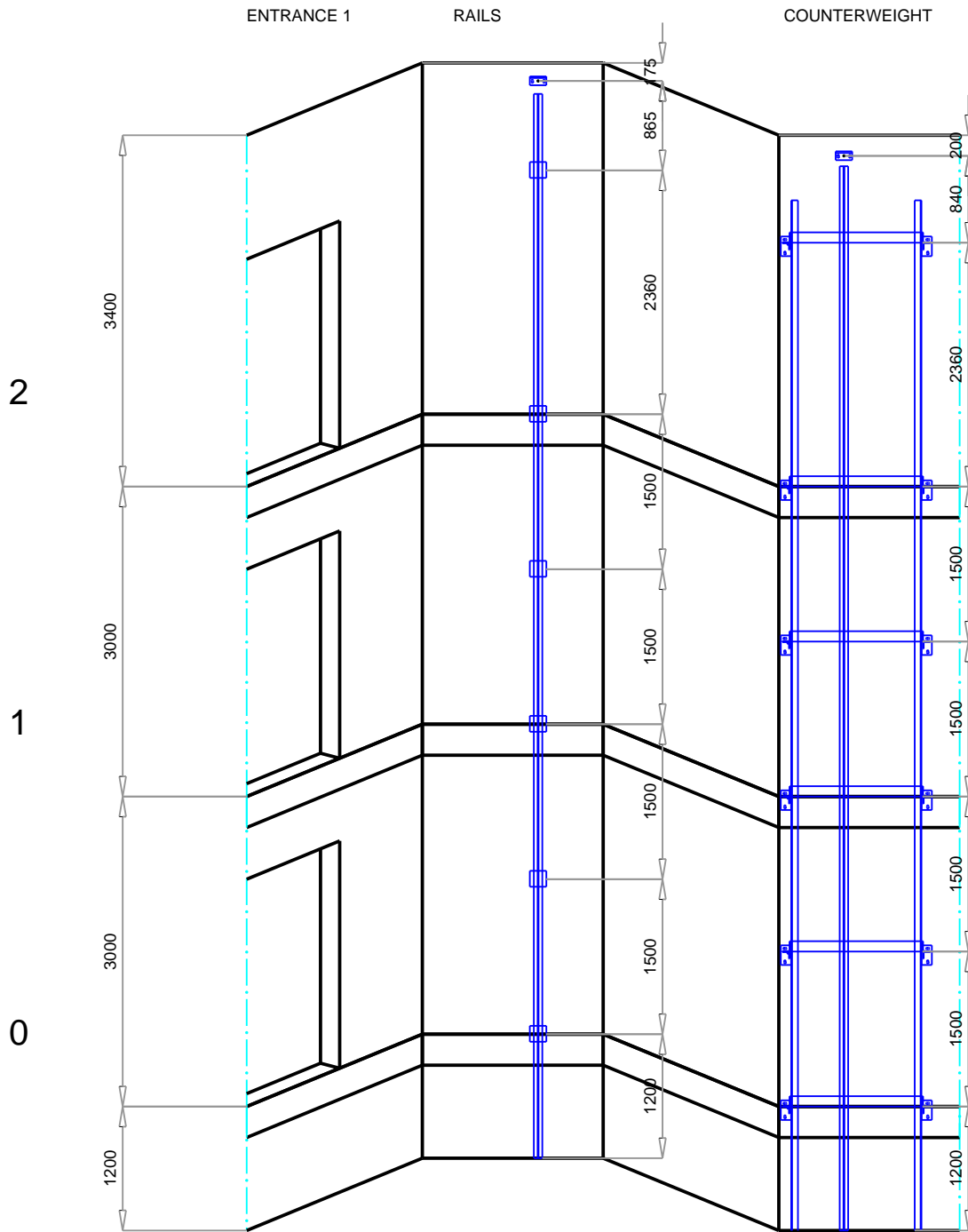
CHECKED

UNIT      mm

PAGE                      2/9

REF.                      1059024

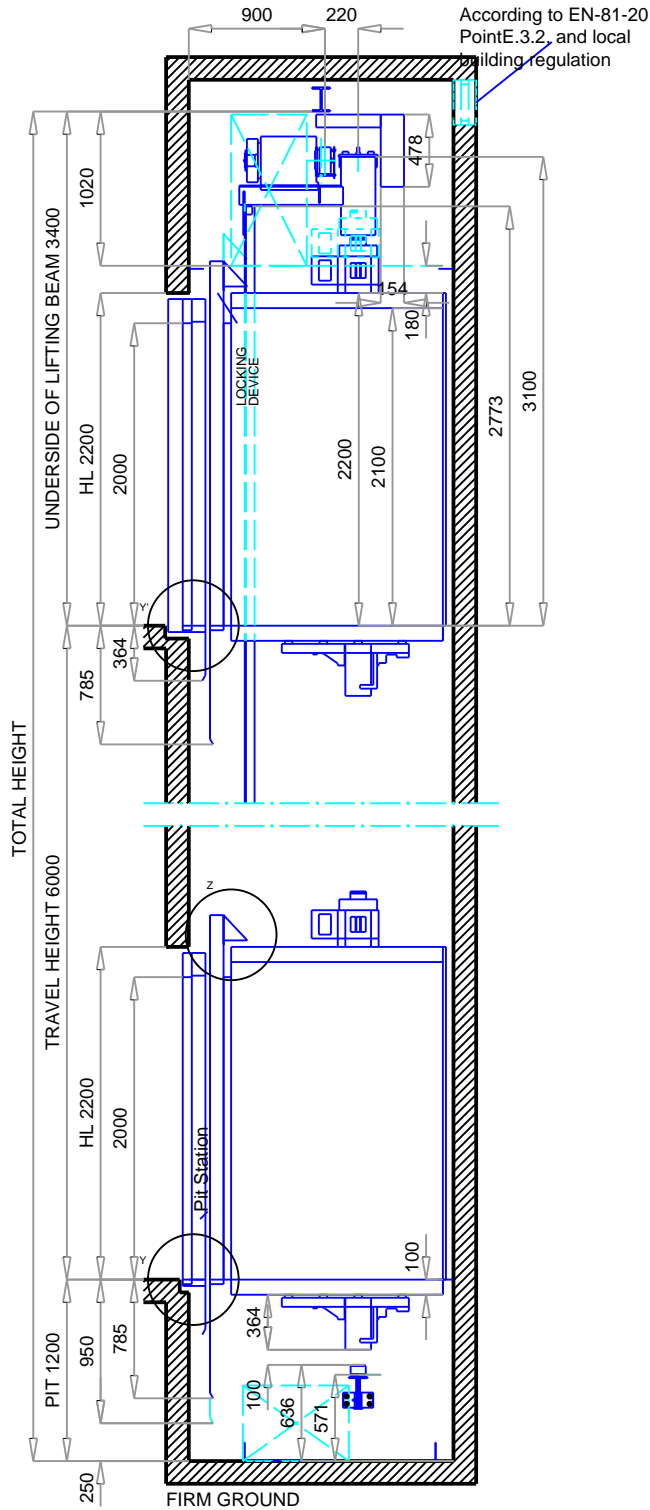
DRAFT DRAWING (NOT DEFINITIVE)



TRAVEL HEIGHT = 6000 mm  
 NUMBER OF BRACKETS = 6  
 MAX DISTANCE BETWEEN BRACKETS = 2400 mm

CUSTOMER		Typical Drawing		REF. 1059024
ADDRESS		Typical Drawing		
CITY		.		
DRAWN	30/07/2020	SCALE	DRAWING N°	PAGE 3/9
	EXCD00001	UNIT mm		
CHECKED				

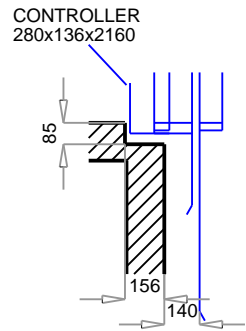
DRAFT DRAWING (NOT DEFINITIVE)



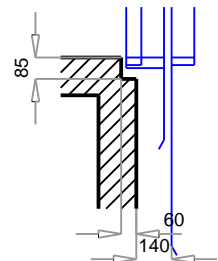
VERTICAL SECTION CAR

DOORS WITH UNLOCKING DEVICE ON LEVELS : 0

Y' DETAIL  
Doors on level 2



Y DETAIL  
Doors on level



CUSTOMER Typical Drawing  
ADDRESS Typical Drawing  
CITY .

DRAWN 30/07/2020  
EXCD00001

SCALE

DRAWING N°

CHECKED

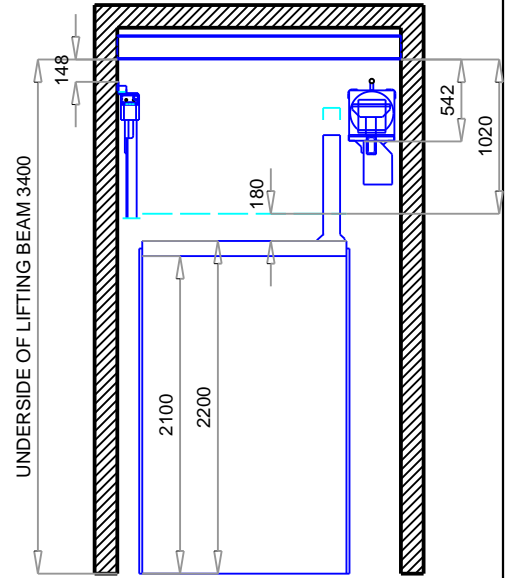
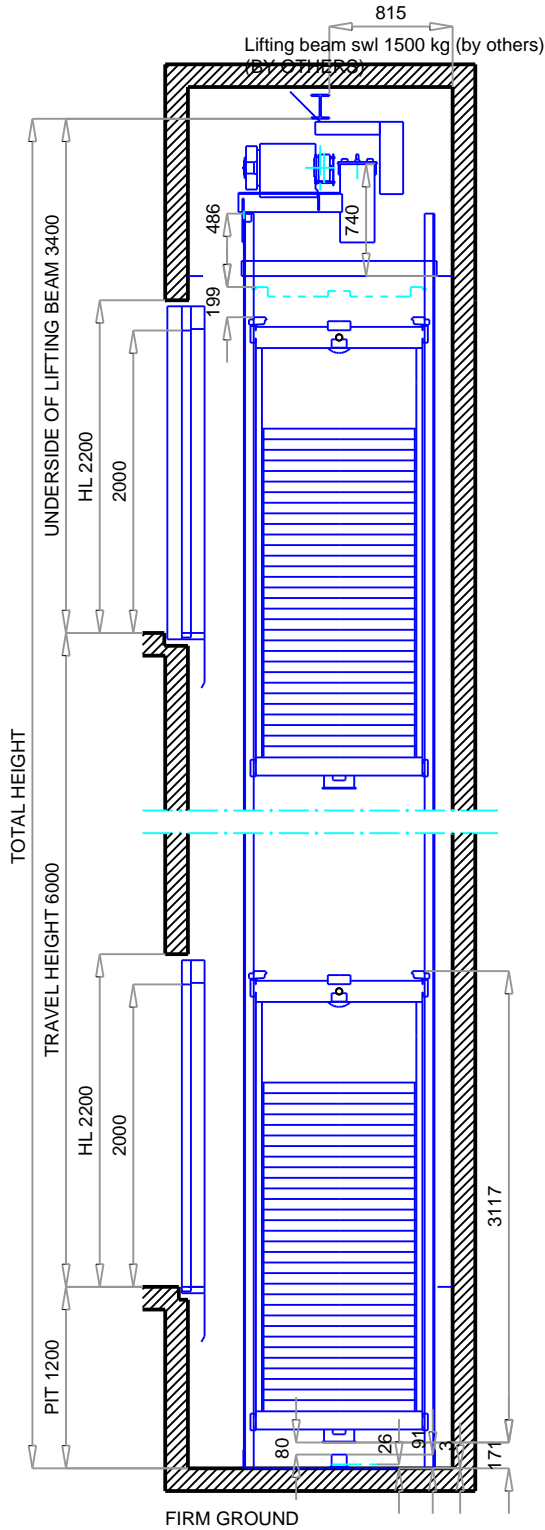
UNIT mm

PAGE 4/9

REF.

1059024

# DRAFT DRAWING (NOT DEFINITIVE)



VERTICAL SECTION COUNTERWEIGHT

CUSTOMER Typical Drawing  
 ADDRESS Typical Drawing  
 CITY .

DRAWN 30/07/2020  
 EXCD00001

SCALE

DRAWING N°

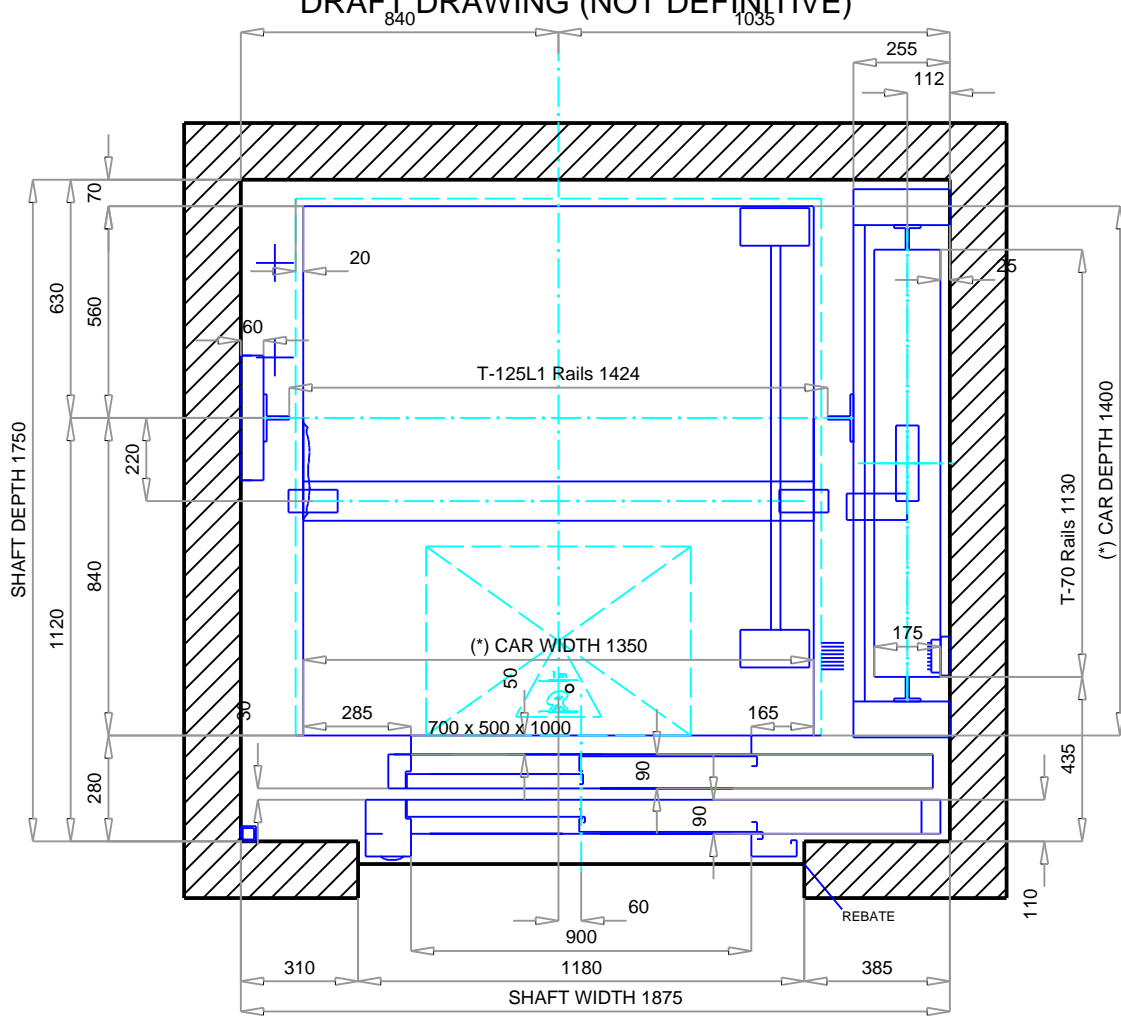
CHECKED

UNIT mm

PAGE 5/9

REF. 1059024

DRAFT DRAWING (NOT DEFINITIVE)

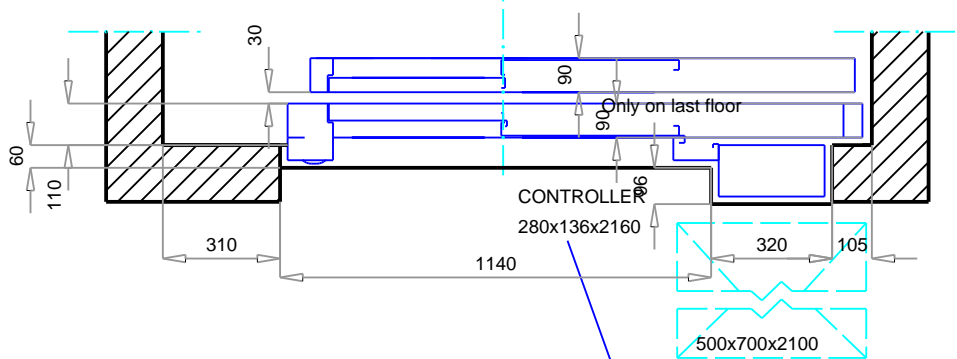


SHAFT PLAN

Scale 1:20 level

Headroom requirement for a solution compliant with EN81-20/50 with:  
 Max Shaft With = 2077 mm  
 Max Shaft Depth = 2084 mm

Doors on level 2



(\*) Car dimensions according to EN81-70

REBATE

CUSTOMER Typical Drawing  
 ADDRESS Typical Drawing  
 CITY .

DRAWN 30/07/2020  
 EXCD00001

SCALE

DRAWING N°

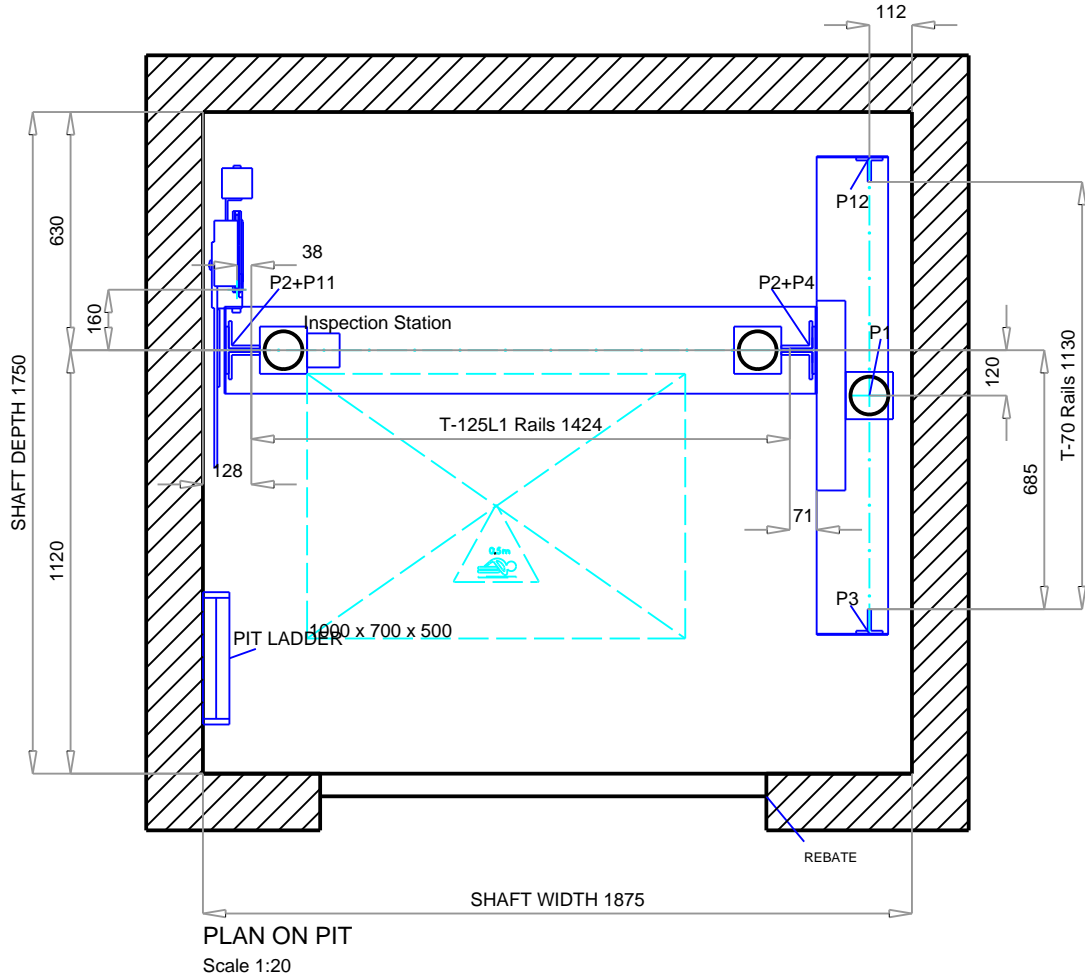
CHECKED

UNIT mm

PAGE 6/9

REF. 1059024

DRAFT DRAWING (NOT DEFINITIVE)



CUSTOMER Typical Drawing  
 ADDRESS Typical Drawing  
 CITY .

DRAWN 30/07/2020  
 EXCD00001

SCALE

DRAWING N°

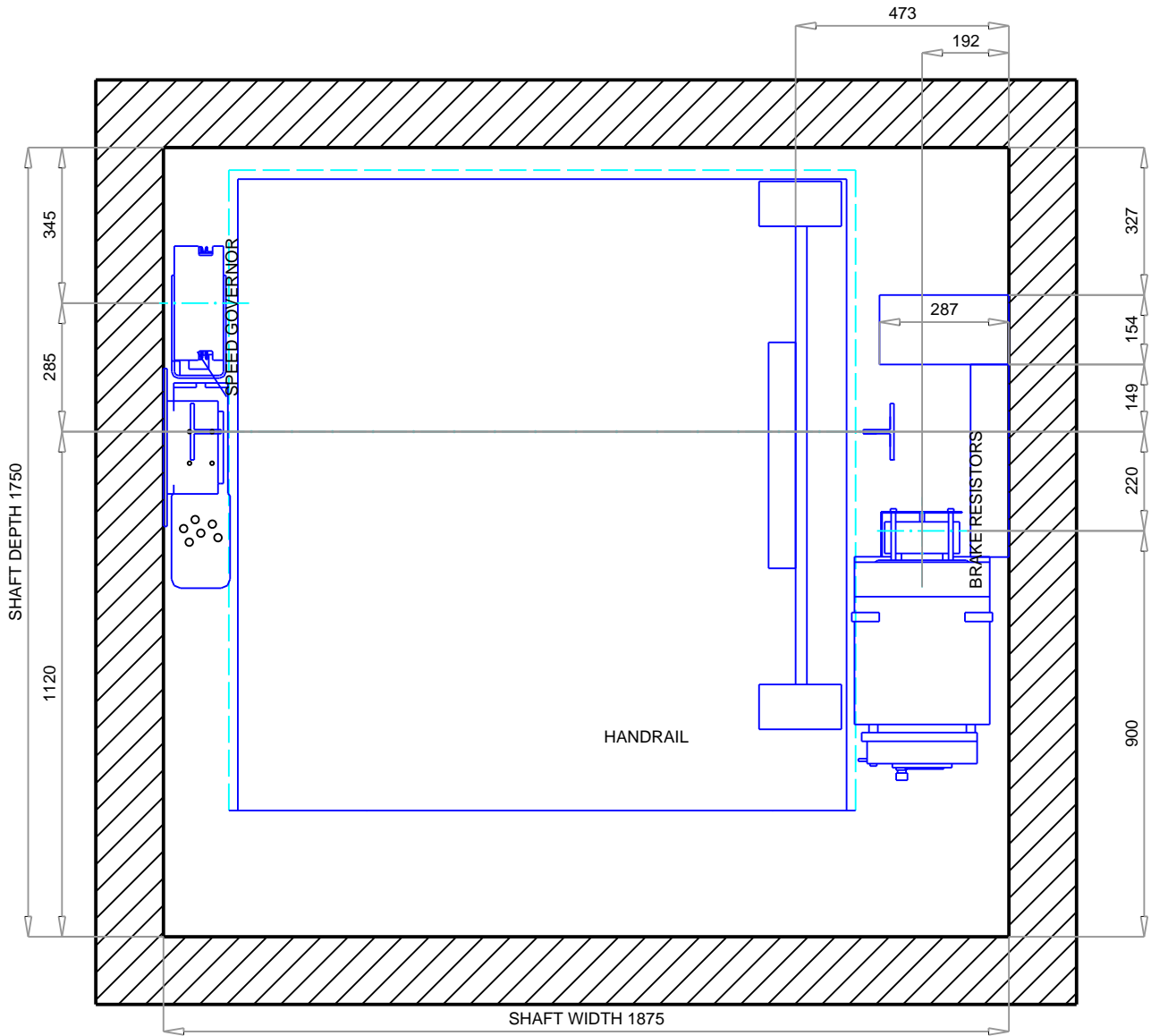
CHECKED

UNIT mm

PAGE 7/9

REF. 1059024

DRAFT DRAWING (NOT DEFINITIVE)



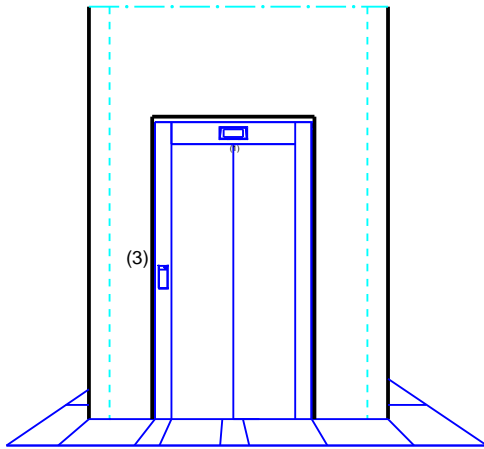
MACHINE VIEW

Scale 1:15

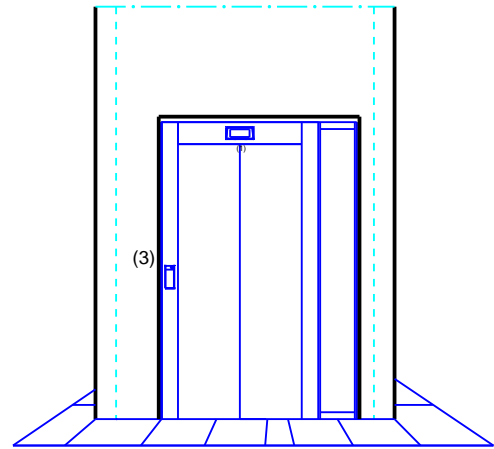
CUSTOMER	Typical Drawing			REF. 1059024
ADDRESS	Typical Drawing			
CITY	.			
	DRAWN	30/07/2020 EXCD00001	SCALE	DRAWING N°
	CHECKED		UNIT mm	PAGE 8/9



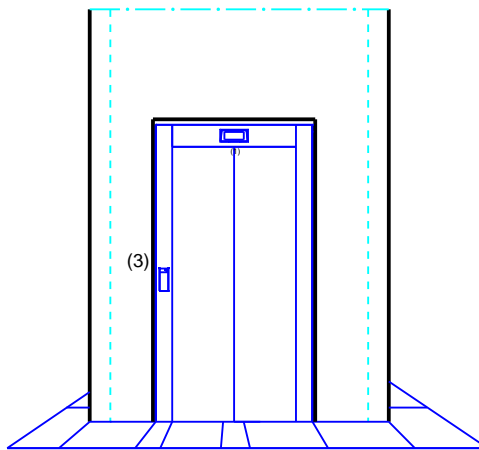
DRAFT DRAWING (NOT DEFINITIVE)



Doors on level 1



Doors on level 2



Doors on level 0

- (1) Indicator
- (3) LOP

CUSTOMER		Typical Drawing		REF. 1059024
ADDRESS		Typical Drawing		
CITY		.		
	DRAWN	30/07/2020 EXCD00001	SCALE	DRAWING N°
	CHECKED		UNIT mm	PAGE 9/9