

DRAFT DRAWING (NOT DEFINITIVE)

(EN 81-20/50)

MAIN FEATURES	
Nominal load:	450 kg 6 Passengers
Speed:	1 m/s
Travel:	6 m
N. of stops:	3
Nº of acceses:	3
Lighting power:	230 V
Grid voltage:	415 V
N. of phases:	3 PHASES+NEUTRAL
Frequency:	50 Hz
Machine power:	3.4 kW
Heat rejected:	0.3 kW
Power grid supply:	4 kW
Nom. Current grid:	6.27 A
Max. Current grid:	7.43 A
Short circuit rating:	6 KA
Controller type:	COLEC-SELEC SIMPLEX
Deadweight car+frame:	498 kg
Number of ropes:	4
%Counterweighed:	45 %

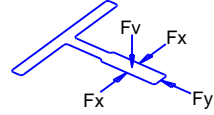
LOADS IN DaN	
P1: 2850 daN	P8: - daN
P2: 3800 daN	P9: - daN
P3: 395 daN	P10: - daN
P4: 1645 daN	P11: daN
P5: - daN	P12: daN
P6: - daN	P13: daN
P7: - daN	P14: daN

RANGING MEASURES MRL	
A: 386 mm	F: 1414 mm
B: 111 mm	G: mm
C: 1414 mm	H: mm
D: 111 mm	I: mm
E: 201 mm	

CUSTOMER		Typical Drawing		REF. 1059024
ADDRESS		Typical Drawing		
CITY		.		
DRAWN	30/07/2020 EXCD00001	SCALE	DRAWING Nº	PAGE 1/9
CHECKED		UNIT mm		

DRAFT DRAWING (NOT DEFINITIVE)

	CAR GUIDE	COUNTERWEIGHT GUIDE
Guide type	T-125 L1/A	T-50/A
Clip type	M2	SL1
Max distance between brackets [mm]	3190	3500
Fx max [daN]	233.27	5.93
Fy max [daN]	91.97	13.55
Fv max [daN]	1039.64	36.22
s perm [N/mm ²]	261.11	125.33
s max [N/mm ²]	176.77	54.76
d perm [mm]	5	10
d guide max X [mm]	4.97	3.43
d guide max Y [mm]	3.74	3.66
d str max [mm]	0	0



* Information about guides and flanges available on Orona's web 'Documentation per OV'

LANDING DOORS

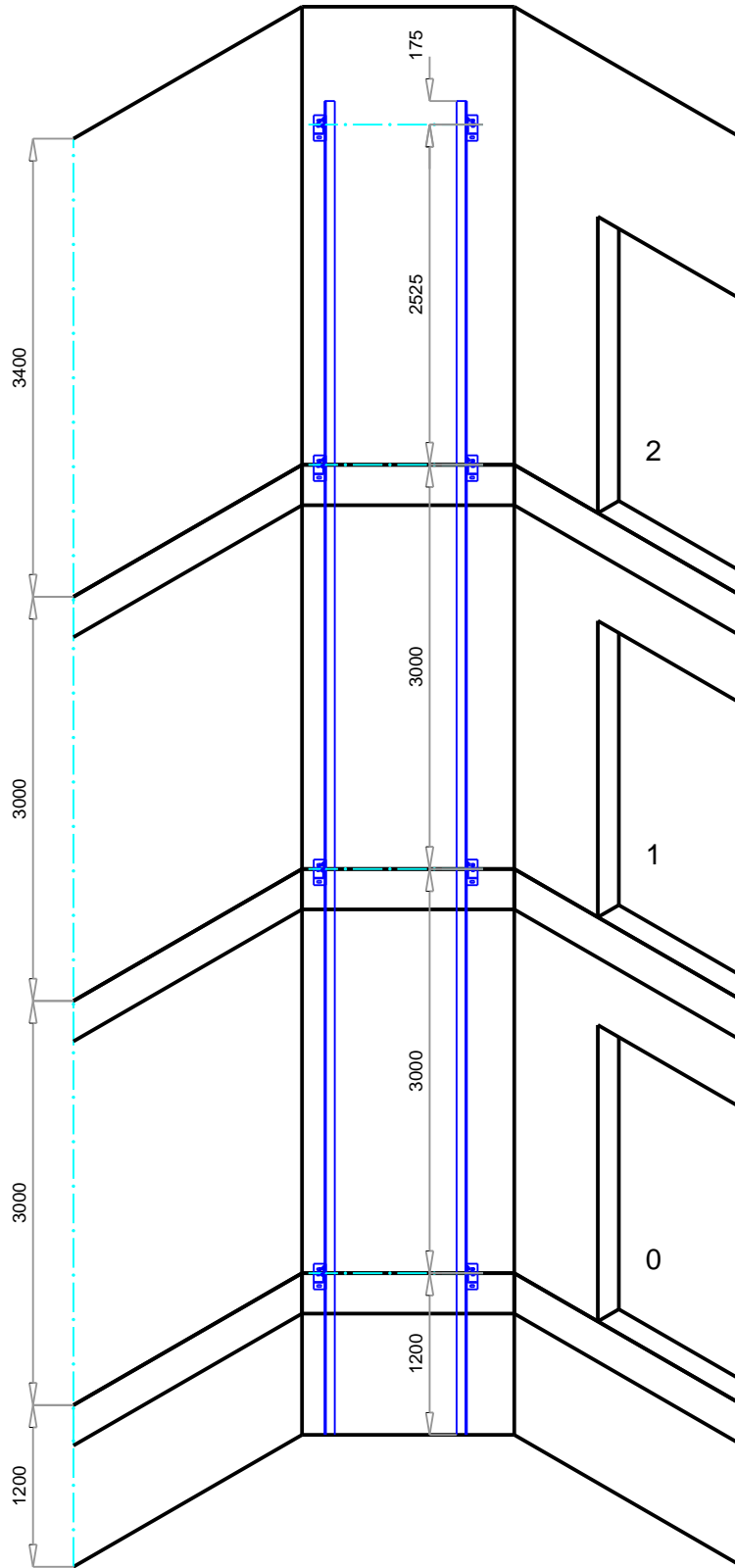
LANDING DOOR FIRE REGULATION	LANDING DOOR MATERIAL	ENTRANCE 1
E120	St.St. Plus	0,1,2

REMARKS

- All the conditions in the document 'Work preparation guide' must be followed
- Optimum assembly process: Orona Platform

CUSTOMER	Typical Drawing			REF. 1059024
ADDRESS	Typical Drawing			
CITY	.			
	DRAWN	30/07/2020 EXCD00001	SCALE	DRAWING N°
	CHECKED		UNIT mm	PAGE 2/9

DRAFT DRAWING (NOT DEFINITIVE)

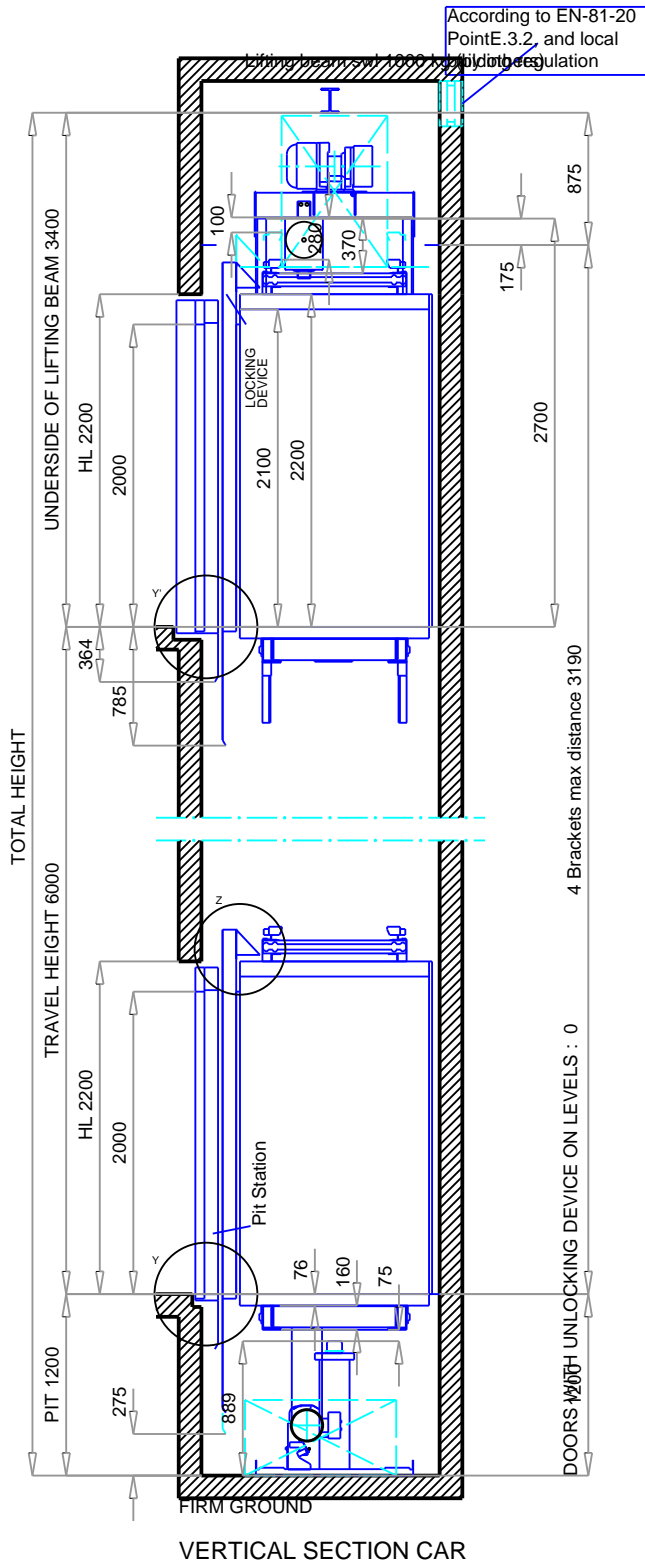


TRAVEL HEIGHT = 6000 mm
 NUMBER OF BRACKETS = 4

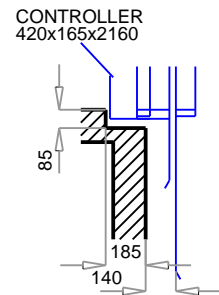
MAX DISTANCE BETWEEN BRACKETS = 3190 mm

CUSTOMER		Typical Drawing		REF. 1059024
ADDRESS		Typical Drawing		
CITY		.		
DRAWN	30/07/2020	SCALE	DRAWING N°	PAGE 3/9
	EXCD00001	UNIT mm		
CHECKED				

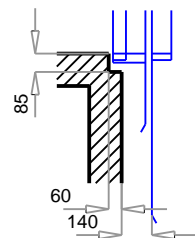
DRAFT DRAWING (NOT DEFINITIVE)



Y' DETAIL
Doors on level 2



Y DETAIL
Doors on level



CUSTOMER Typical Drawing
ADDRESS Typical Drawing
CITY .

DRAWN 30/07/2020
EXCD00001

SCALE

DRAWING N°

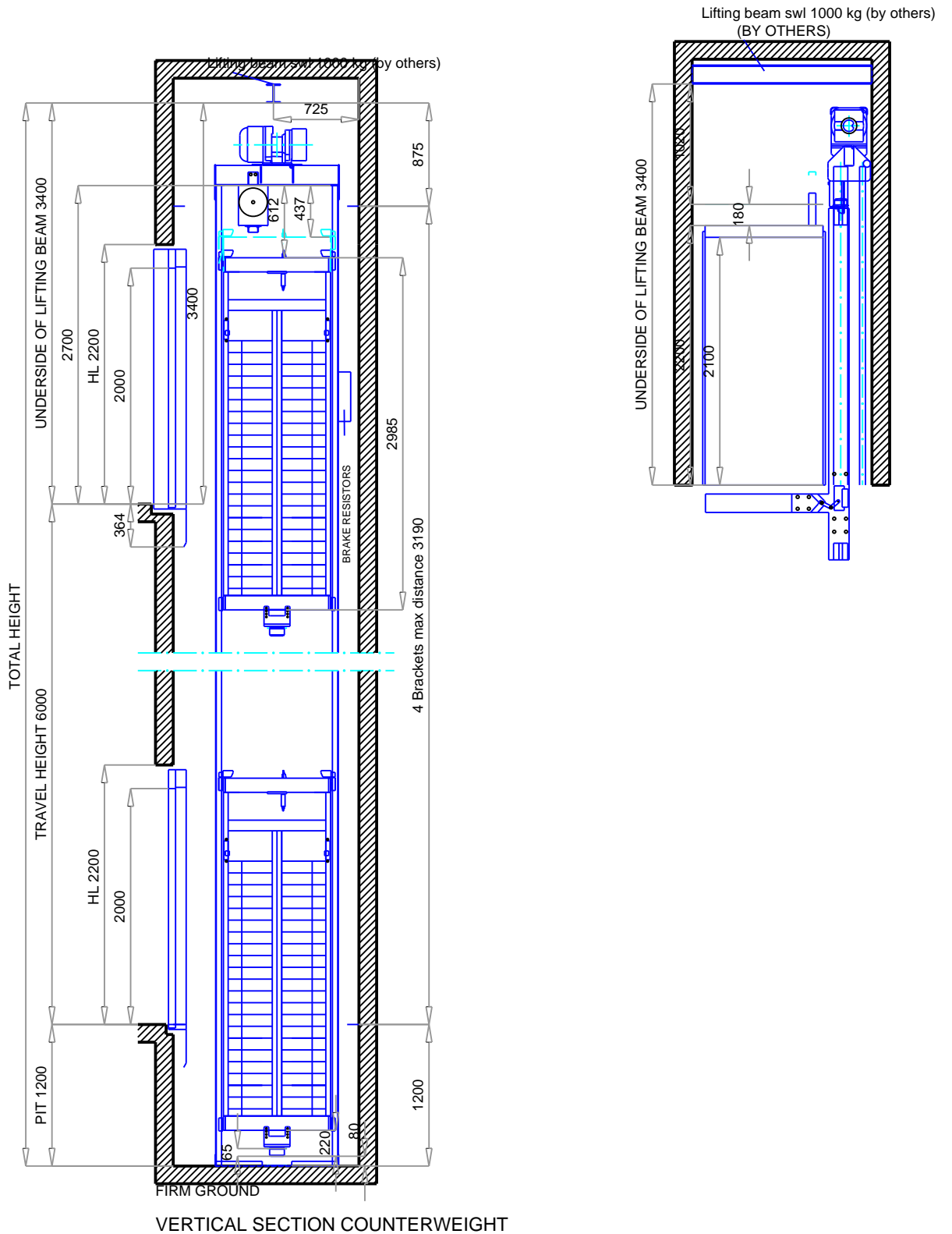
CHECKED

UNIT mm

PAGE 4/9

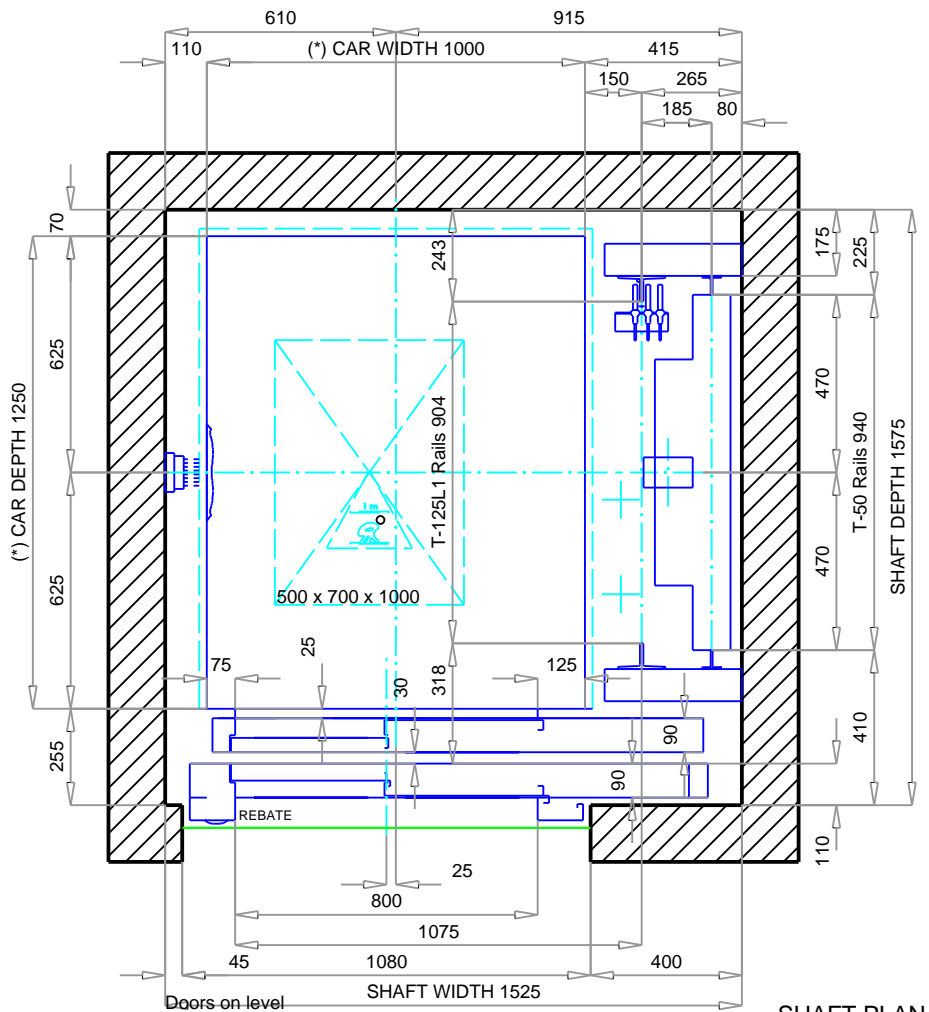
REF. 1059024

DRAFT DRAWING (NOT DEFINITIVE)



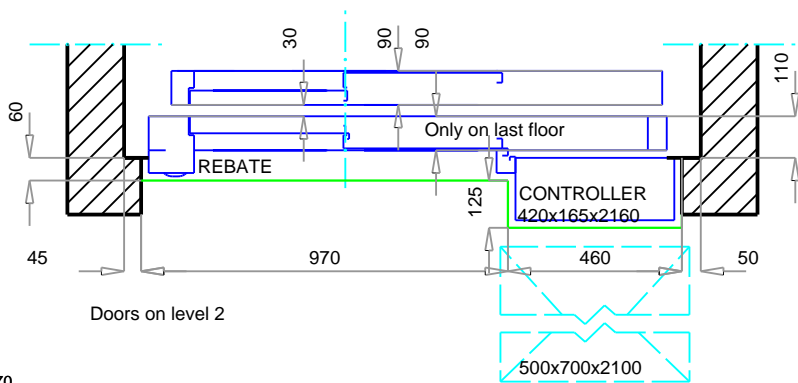
CUSTOMER	Typical Drawing		
ADDRESS	Typical Drawing		
CITY	.		
	DRAWN	30/07/2020 EXCD00001	SCALE
	CHECKED		UNIT mm
			DRAWING N°
			PAGE 5/9
			REF. 1059024

DRAFT DRAWING (NOT DEFINITIVE)



SHAFT PLAN
Scale 1:20

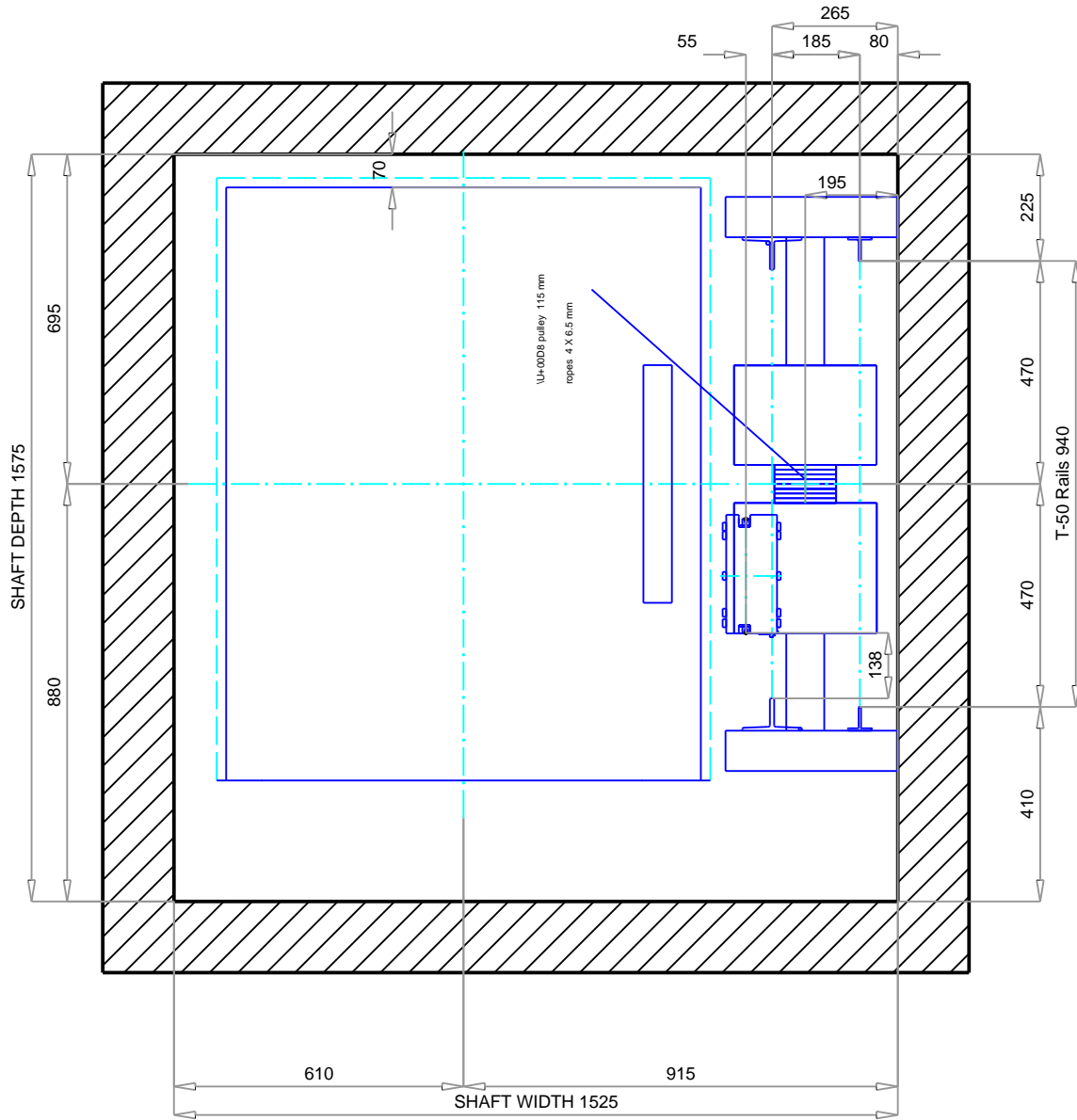
Headroom requirement for a solution compliant with EN81-20/50 with:
Max Shaft With = 1812 mm
Max Shaft Depth = 1908 mm



(*) Car dimensions according to EN81-70

CUSTOMER	Typical Drawing		DRAWING N°	REF. 1059024
ADDRESS	Typical Drawing			
CITY	.			
DRAWN	30/07/2020 EXCD00001	SCALE	PAGE 6/9	
CHECKED		UNIT mm		

DRAFT DRAWING (NOT DEFINITIVE)

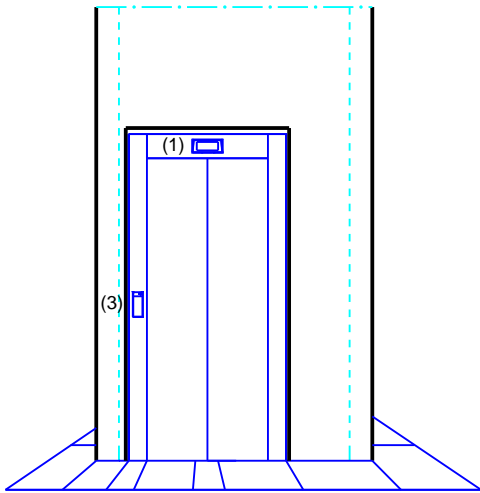


MACHINE VIEW

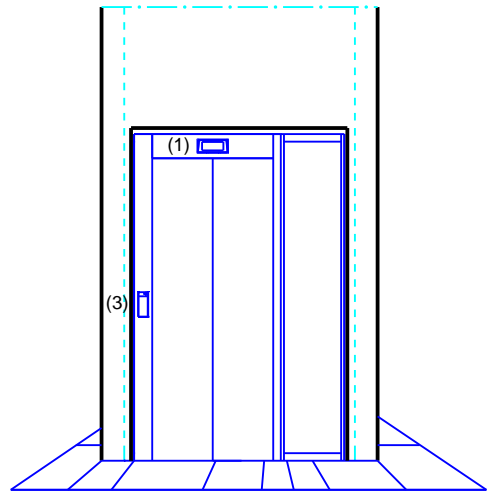
Scale 1:15

CUSTOMER	Typical Drawing			REF. 1059024
ADDRESS	Typical Drawing			
CITY	.			
	DRAWN	30/07/2020 EXCD00001	SCALE	DRAWING N°
	CHECKED		UNIT mm	PAGE 8/9

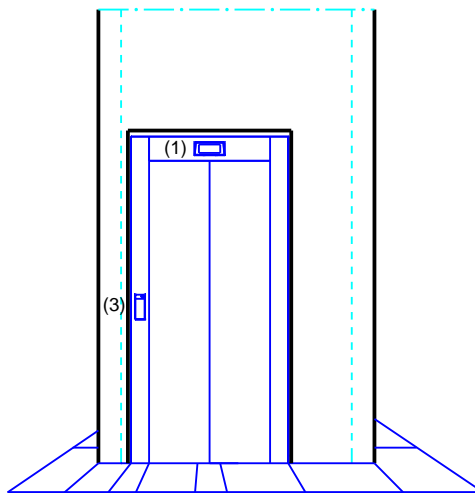
DRAFT DRAWING (NOT DEFINITIVE)



Doors on level 1



Doors on level 2



Doors on level 0

(1) Indicator

(3) LOP

CUSTOMER		Typical Drawing		REF. 1059024
ADDRESS		Typical Drawing		
CITY		.		
	DRAWN	30/07/2020 EXCD00001	SCALE	DRAWING N°
	CHECKED		UNIT mm	PAGE 9/9