

DRAFT DRAWING (NOT DEFINITIVE)

(EN 81-20/50)

MAIN FEATURES	
Nominal load:	630 kg 8 Passengers
Speed:	1 m/s
Travel:	6 m
N. of stops:	3
Nº of acceses:	3
Lighting power:	230 V
Grid voltage:	415 V
N. of phases:	3 PHASES+NEUTRAL
Frequency:	50 Hz
Machine power:	4.5 kW
Heat rejected:	0.4 kW
Power grid supply:	5.3 kW
Nom. Current grid:	8.26 A
Max. Current grid:	9.58 A
Short circuit rating:	6 KA
Controller type:	COLEC-SELEC SIMPLEX
Deadweight car+frame:	554 kg
Number of ropes:	5
%Counterweighed:	45 %

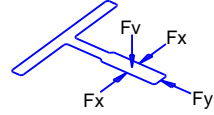
LOADS IN DaN	
P1: 3400 daN	P8: - daN
P2: 4750 daN	P9: - daN
P3: 470 daN	P10: - daN
P4: 2010 daN	P11: daN
P5: - daN	P12: daN
P6: - daN	P13: daN
P7: - daN	P14: daN

RANGING MEASURES MRL	
A: 386 mm	F: 1514 mm
B: 111 mm	G: mm
C: 1514 mm	H: mm
D: 111 mm	I: mm
E: 226 mm	

CUSTOMER		Typical Drawing		REF. 1059024
ADDRESS		Typical Drawing		
CITY		.		
DRAWN	30/07/2020 EXCD00001	SCALE	DRAWING Nº	PAGE 1/9
CHECKED		UNIT mm		

DRAFT DRAWING (NOT DEFINITIVE)

	CAR GUIDE	COUNTERWEIGHT GUIDE
Guide type	T-127-L1/A	T-50/A
Clip type	M2	SL1
Max distance between brackets [mm]	3110	3500
Fx max [daN]	317.55	7.36
Fy max [daN]	130.3	18.79
Fv max [daN]	1281.54	36.22
s perm [N/mm ²]	261.11	125.33
s max [N/mm ²]	207.71	71.66
d perm [mm]	5	10
d guide max X [mm]	4.98	4.26
d guide max Y [mm]	4.84	5
d str max [mm]	0	0



* Information about guides and flanges available on Orona's web 'Documentation per OV'

LANDING DOORS

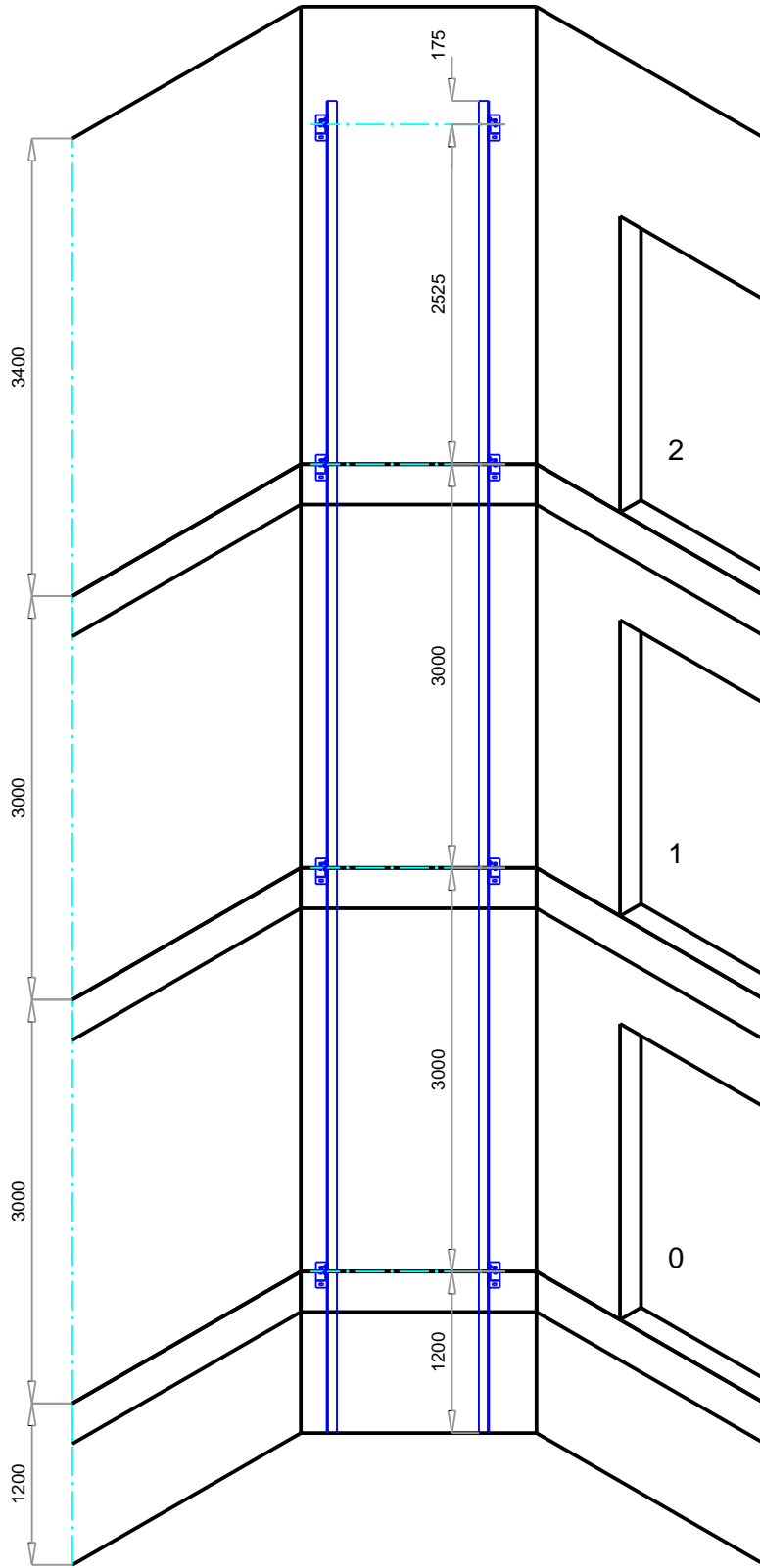
LANDING DOOR FIRE REGULATION	LANDING DOOR MATERIAL	ENTRANCE 1
E120	St.St. Plus	0,1,2

REMARKS

- All the conditions in the document 'Work preparation guide' must be followed
- Optimum assembly process: Orona Platform

CUSTOMER	Typical Drawing			REF. 1059024
ADDRESS	Typical Drawing			
CITY	.			
	DRAWN	30/07/2020 EXCD00001	SCALE	DRAWING N°
	CHECKED		UNIT	PAGE
			mm	2/9

DRAFT DRAWING (NOT DEFINITIVE)

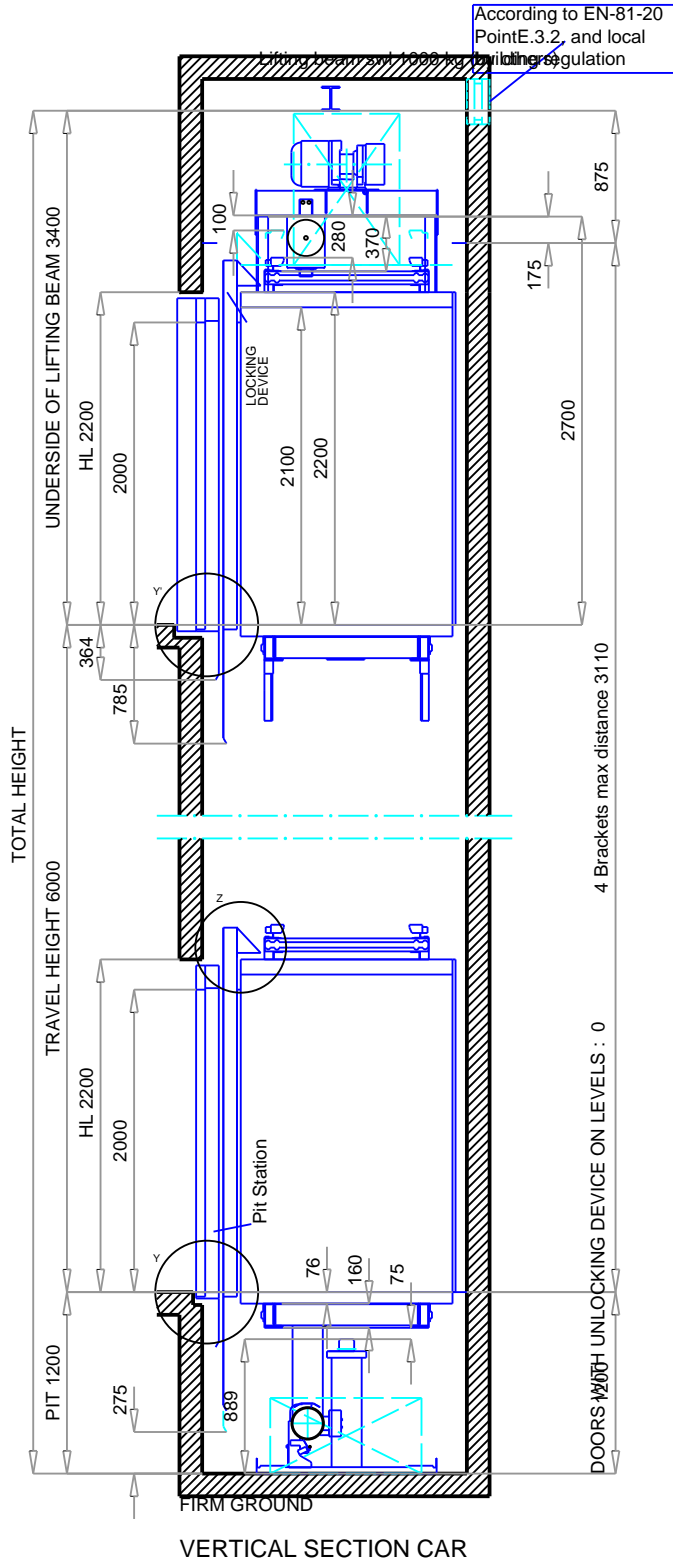


TRAVEL HEIGHT = 6000 mm
 NUMBER OF BRACKETS = 4

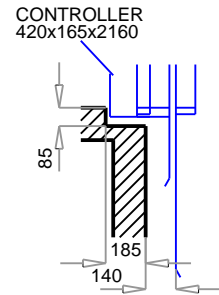
MAX DISTANCE BETWEEN BRACKETS = 3110 mm

CUSTOMER		Typical Drawing		REF. 1059024
ADDRESS		Typical Drawing		
CITY		.		
	DRAWN	30/07/2020 EXCD00001	SCALE	DRAWING N°
	CHECKED		UNIT mm	PAGE 3/9

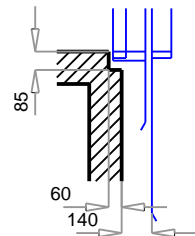
DRAFT DRAWING (NOT DEFINITIVE)



Y' DETAIL
Doors on level 2

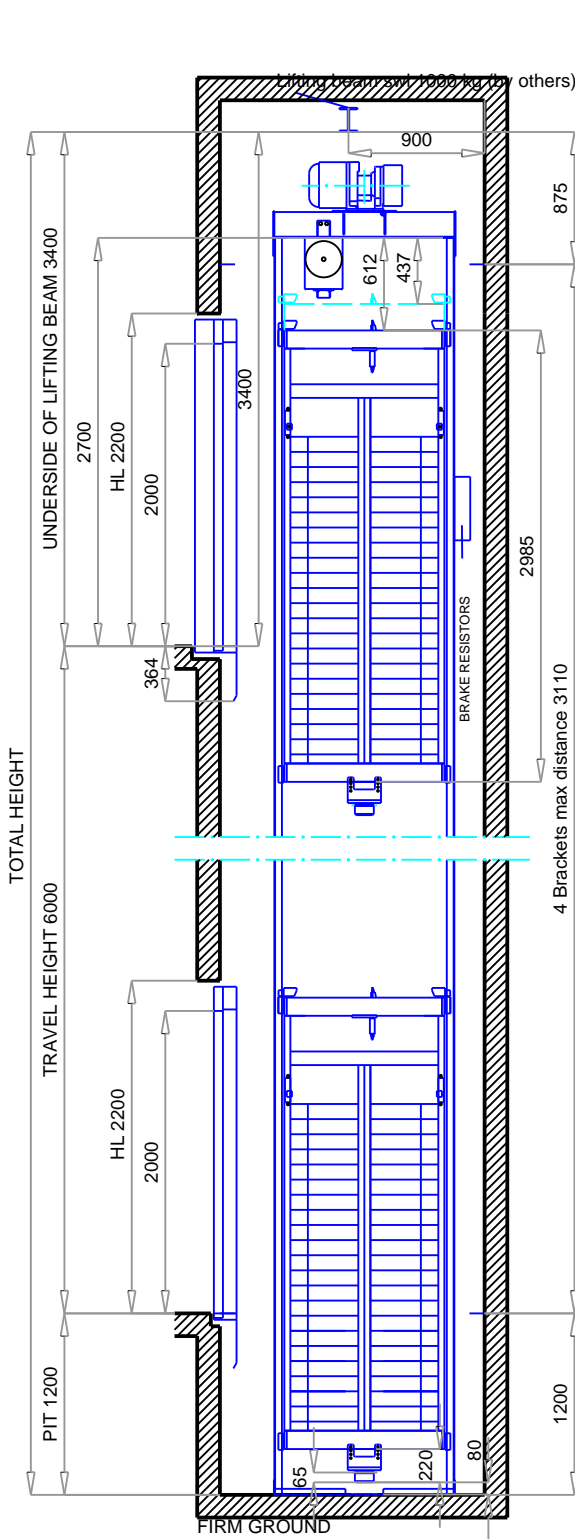


Y DETAIL
Doors on level

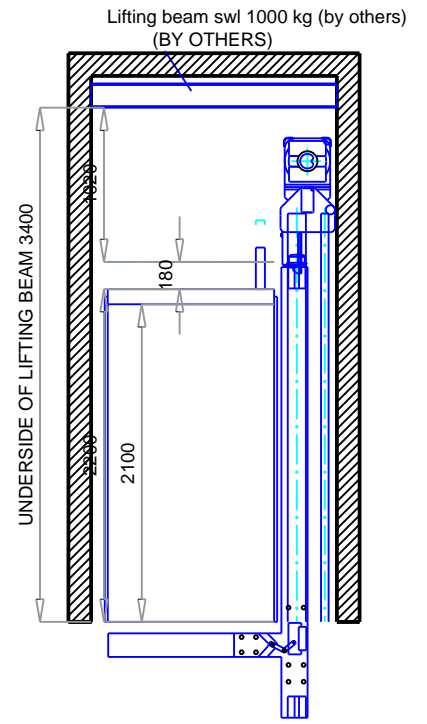


CUSTOMER	Typical Drawing			REF. 1059024
ADDRESS	Typical Drawing			
CITY	.			
	DRAWN	30/07/2020 EXCD00001	SCALE	DRAWING N°
	CHECKED		UNIT mm	PAGE 4/9

DRAFT DRAWING (NOT DEFINITIVE)



VERTICAL SECTION COUNTERWEIGHT



CUSTOMER Typical Drawing
 ADDRESS Typical Drawing
 CITY .

DRAWN 30/07/2020
 EXCD00001

SCALE

DRAWING N°

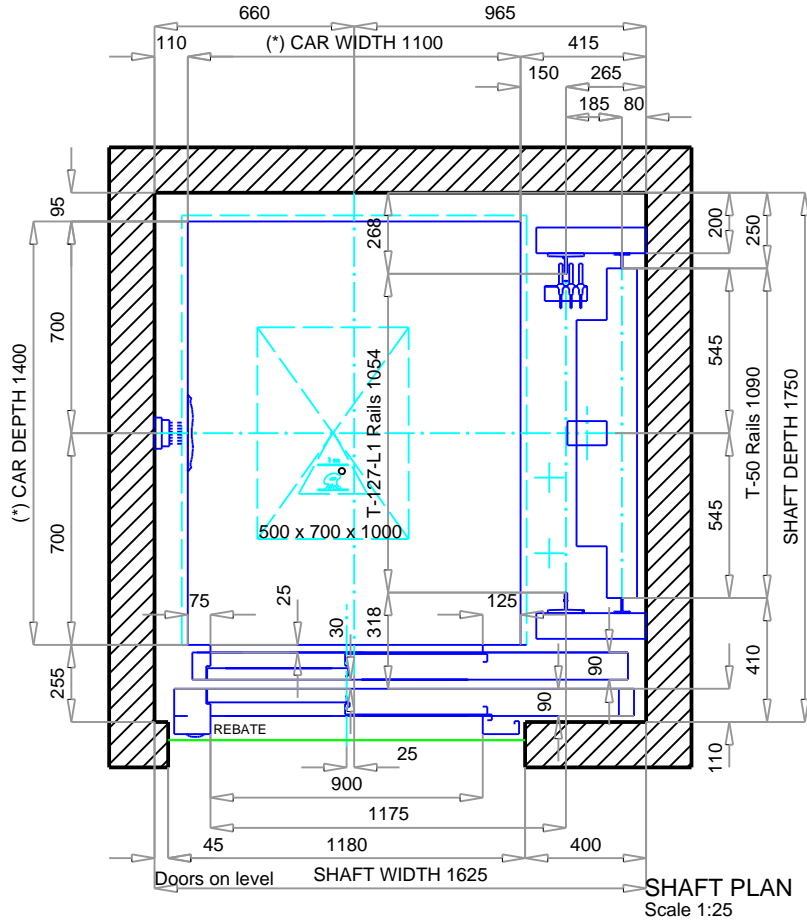
CHECKED

UNIT mm

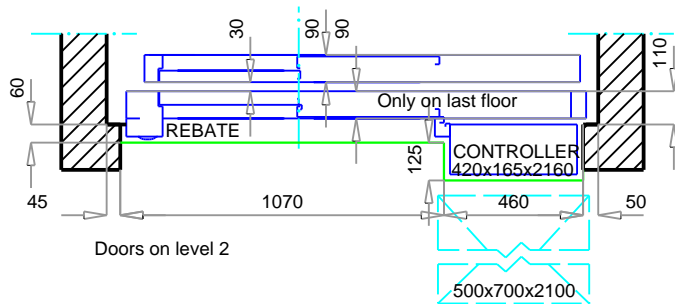
PAGE 5/9

REF. 1059024

DRAFT DRAWING (NOT DEFINITIVE)



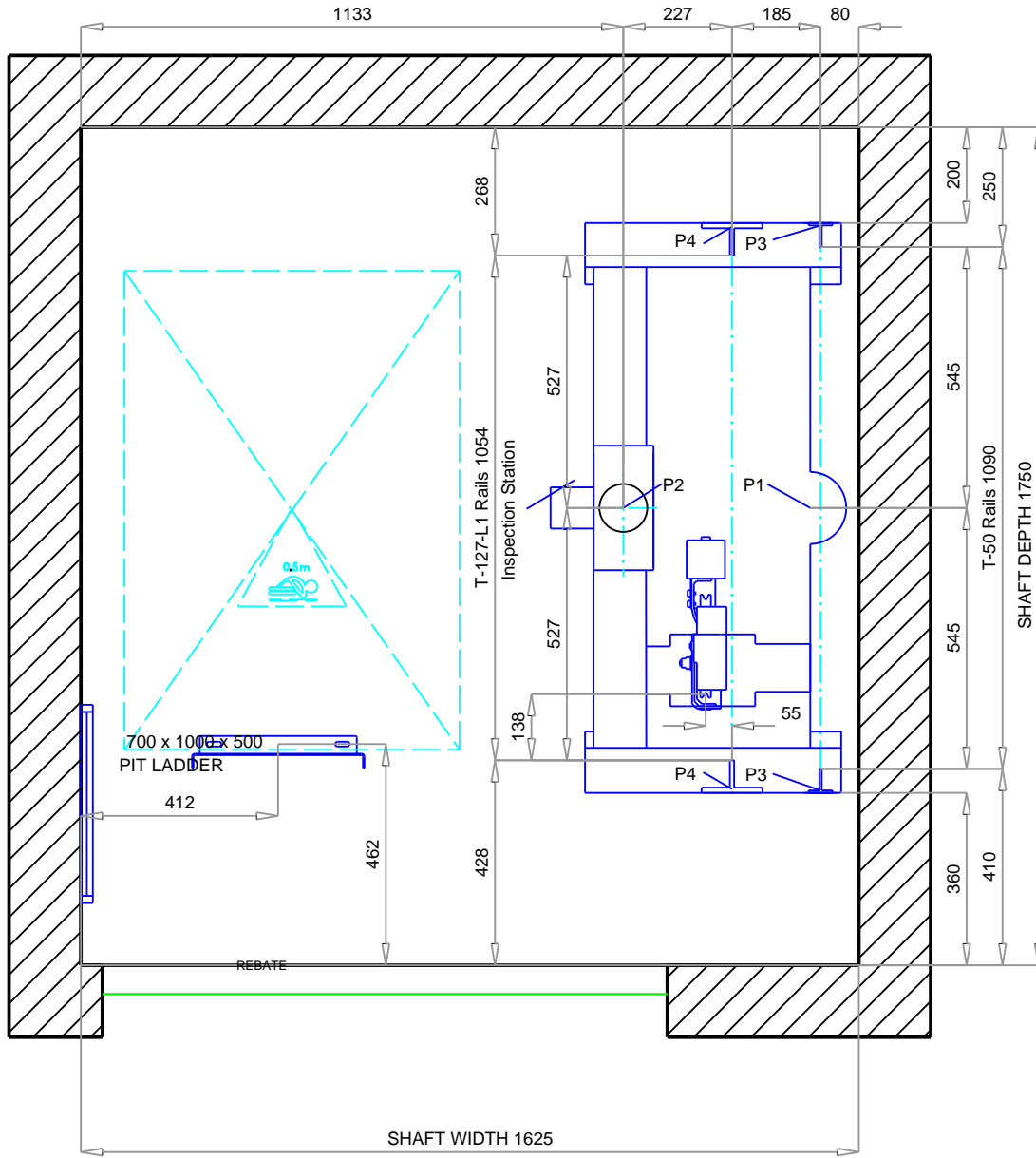
Headroom requirement for a solution compliant with EN81-20/50 with:
 Max Shaft With = 1912 mm
 Max Shaft Depth = 2058 mm



(*) Car dimensions according to EN81-70

CUSTOMER	Typical Drawing		
ADDRESS	Typical Drawing		
CITY	.		
	DRAWN	30/07/2020 EXCD00001	SCALE
	CHECKED	UNIT	mm
		DRAWING N°	
		PAGE	6/9
	REF.	1059024	

DRAFT DRAWING (NOT DEFINITIVE)



PLAN ON PIT

Scale 1:15

CUSTOMER Typical Drawing
 ADDRESS Typical Drawing
 CITY .

DRAWN 30/07/2020
 EXCD00001

SCALE

DRAWING N°

CHECKED

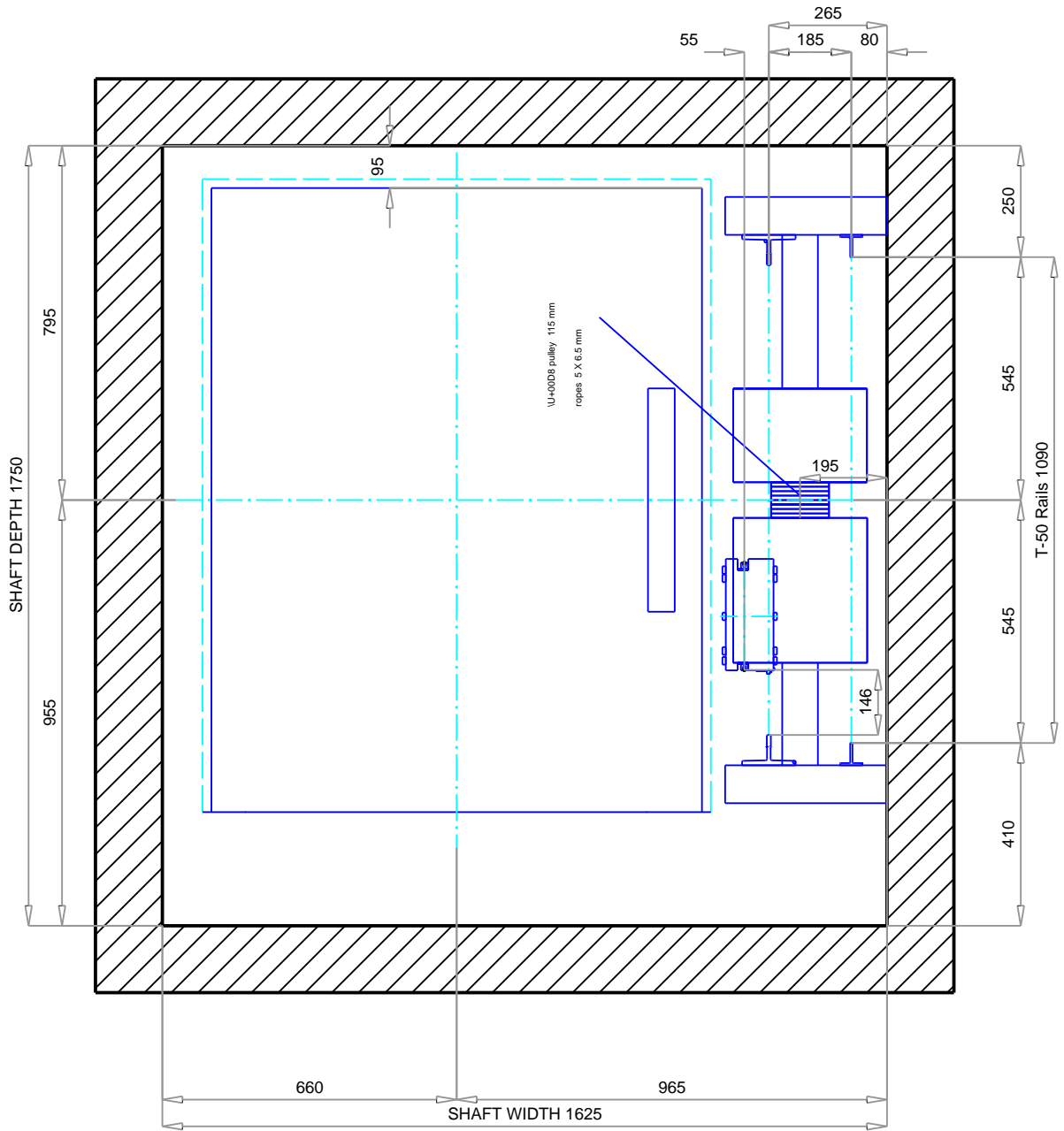
UNIT mm

PAGE 7/9

REF.

1059024

DRAFT DRAWING (NOT DEFINITIVE)



MACHINE VIEW

Scale 1:15

CUSTOMER Typical Drawing
 ADDRESS Typical Drawing
 CITY .

DRAWN 30/07/2020
 EXCD00001

SCALE

DRAWING N°

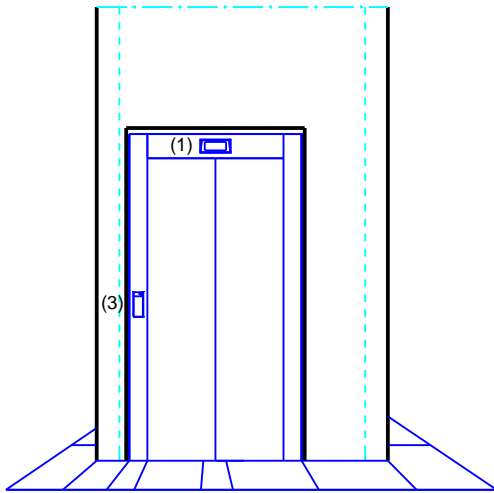
CHECKED

UNIT mm

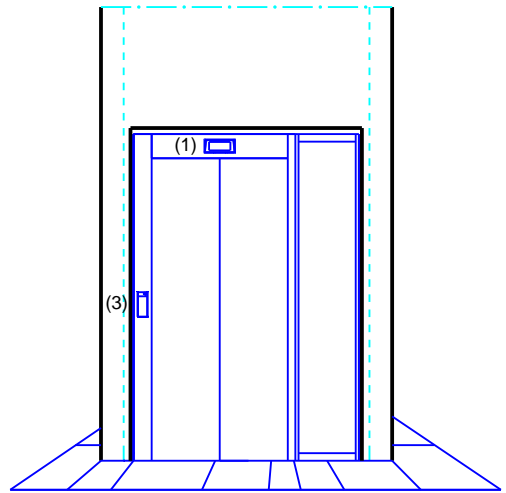
PAGE 8/9

REF. 1059024

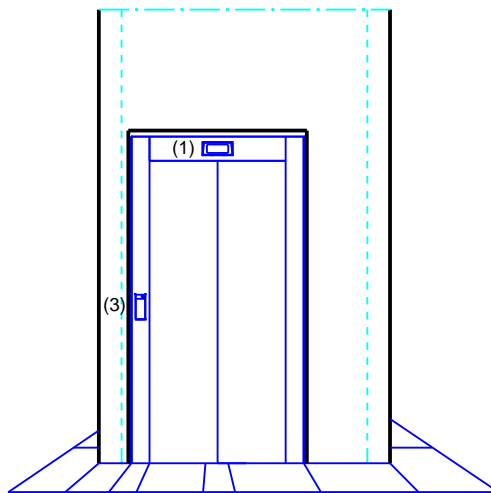
DRAFT DRAWING (NOT DEFINITIVE)



Doors on level 1



Doors on level 2



Doors on level 0

(1) Indicator

(3) LOP

CUSTOMER		Typical Drawing		REF. 1059024
ADDRESS		Typical Drawing		
CITY		.		
	DRAWN	30/07/2020 EXCD00001	SCALE	DRAWING N°
	CHECKED		UNIT mm	PAGE 9/9